

# A0 INSTALLATION DRAWING

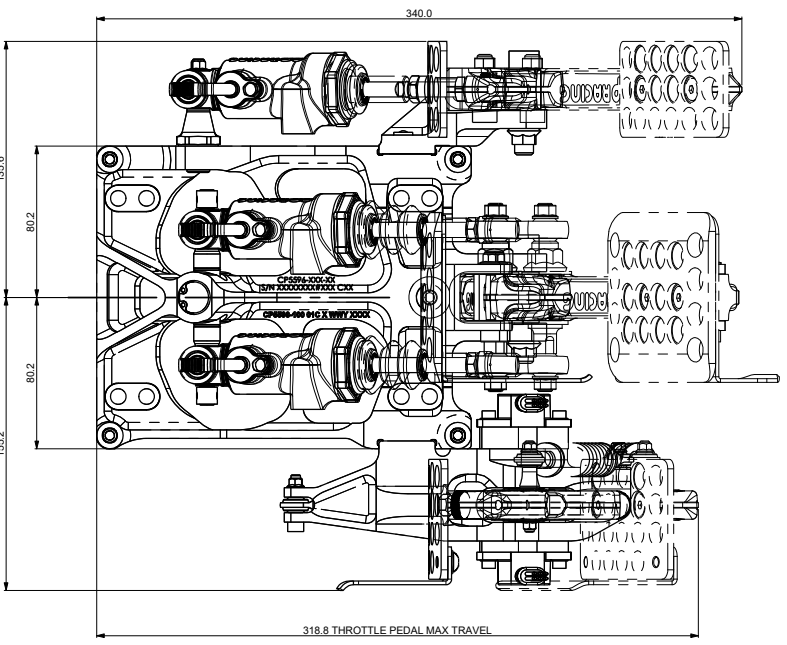
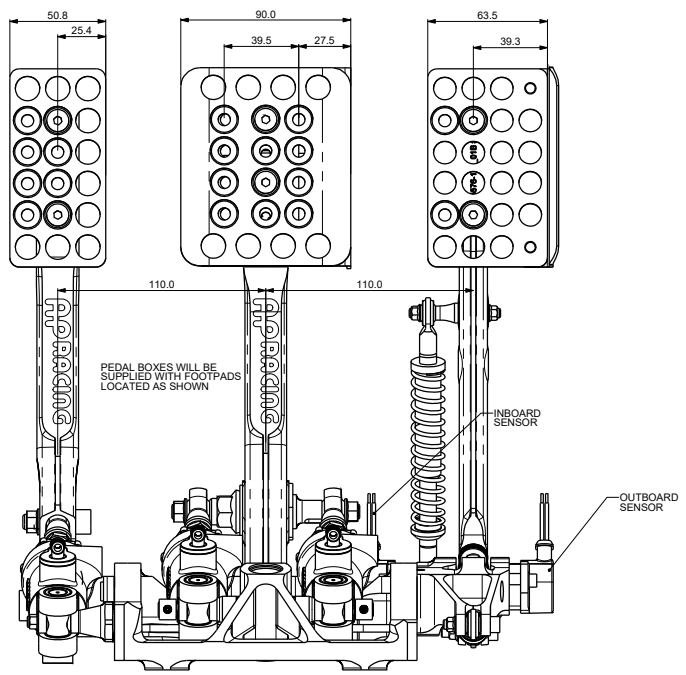
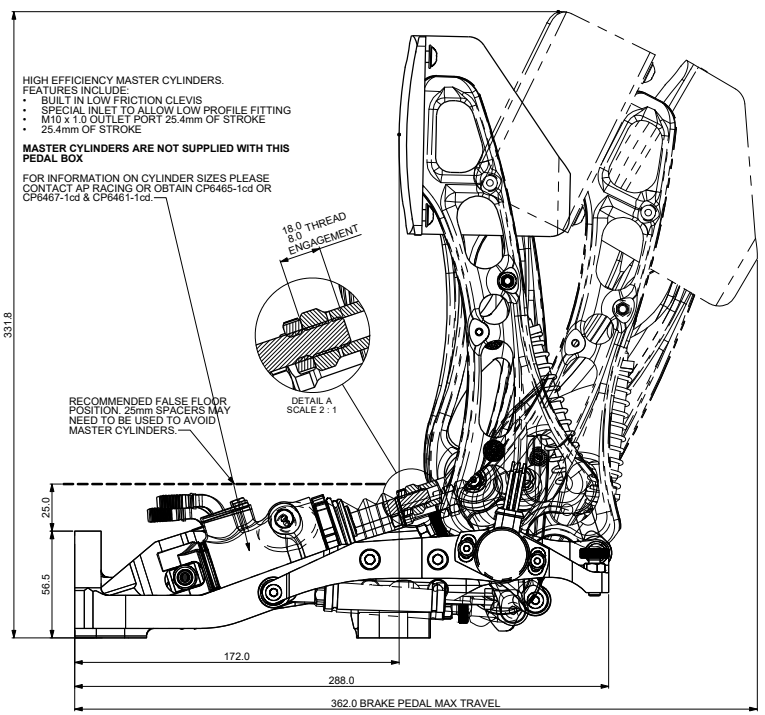
IF THIS DOCUMENT IS PRINTED IN HARDCOPY, IT IS FOR INFORMATION USE ONLY AND THEREFORE IS NOT SUBJECT TO UPDATING CONTROLS. ALWAYS REFER TO SOLIDWORKS VIEWER FOR LATEST ISSUE

FIRST ANGLE PROJECTION

THIS DRAWING IS CONFIDENTIAL AND IS SUPPLIED ON THE EXPRESS CONDITION THAT IT SHALL NOT BE LOANED OR COPIED OR DISCLOSED TO ANY OTHER PERSON OR USED FOR ANY OTHER PURPOSE WITHOUT THE WRITTEN CONSENT OF AP RACING LTD.



**AP Racing**  
 Wheeler Road  
 Coventry  
 CV3 4LB  
 Tel: +44 (0)24 7663 9595  
 Fax: +44 (0)24 7663 9599  
 e-mail: sales@apracings.co.uk  
 © AP Racing Ltd. 2023 Web site: HTTP://www.apracings.com



**GENERAL DESCRIPTION**

THIS UNIQUE PULL TYPE DESIGN ALLOWS THE LOAD THROUGH THE CYLINDERS TO REMAIN STRAIGHT DURING OPERATION WHICH ELIMINATES SIDE LOADS THAT YOU SEE IN A PUSH TYPE CYLINDER.

THE CYLINDERS ARE MOUNTED UNDER THE DRIVERS FEET FOR OPTIMUM SPACE UTILISATION AND ACCESS.

MINIMUM HYSTERESIS AND BALANCE VARIATION ARE ASSURED BY THE USE OF NEEDLE ROLLER BEARINGS IN THE CENTRE TRUNNION.

**FEATURES**

- LIGHTWEIGHT ALUMINIUM BASE, MACHINED FROM SOLID.
- ALL PEDALS ARE MACHINED FROM ALUMINIUM FORGINGS.
- PEDALS ARE PIVOTED BY BALL BEARINGS TO INCREASE SMOOTHNESS.
- DESIGNED FOR USE WITH CP6465, CP6461 OR CP6467 (ABS BRAKE APPLICATIONS) MASTER CYLINDERS.
- ADJUSTABLE FOOT PADS FOR EXTRA DRIVER COMFORT.
- ADJUSTABLE CLUTCH & THROTTLE PEDAL STOPS.
- BRAKE PEDAL RATIO ADJUSTABLE 4.10:1 TO 5.00:1
- CLUTCH PEDAL RATIO 4.55:1
- DUAL MOUNTINGS FOR THROTTLE POTENTIOMETERS. INBOARD MOUNTING AND SENSOR AVAILABLE IN SEPARATE KIT.
- WEIGHT 3.9kg APPROX WITHOUT CYLINDERS.

**IMPORTANT BALANCE BAR LIFE INFORMATION - ABS APPLICATIONS**

IT IS RECOMMENDED THAT THE BALANCE BAR, E-CLIPS AND SNAP RINGS ARE REPLACED AFTER 15,000km OF USE IN HIGH PRESSURE ABS APPLICATIONS. SEE SHEET 4 FOR RELEVANT PART NUMBERS.

PART NUMBERS	
CP5596-CBT	CLUTCH, BRAKE & THROTTLE PEDAL BOX ASSEMBLY, NO THROTTLE SENSORS
CP5596-CBT-TS	CLUTCH, BRAKE & THROTTLE PEDAL BOX ASSEMBLY, WITH OUTBOARD THROTTLE SENSOR
CP5596-BT	BRAKE & THROTTLE PEDAL BOX ASSEMBLY, NO THROTTLE SENSORS
CP5596-BT-TS	BRAKE & THROTTLE PEDAL BOX ASSEMBLY, WITH OUTBOARD THROTTLE SENSOR
CP5596-CB	CLUTCH & BRAKE PEDAL BOX ASSEMBLY
CP5596-B	BRAKE ONLY PEDAL BOX ASSEMBLY
CP5548-TS	INBOARD THROTTLE SENSOR KIT

Alterations			
#	Date & No.	Particulars	By
01	14/02/2020	FIRST ISSUE	#
02	14/07/2022	SHEET 1 IMPORTANT BALANCE BAR LIFE INFORMATION NOTE ADDED SHEET 3 THROTTLE SENSOR DETAILS NOTE UPDATED	A16 TS
03	04/04/2023	SHEET 1 ADDED THREAD ENGAGEMENT GUIDELINES CP5548-TS WAS CP5596-TS SHEET 2 ADDED CP5576-108 OPTION SHEET 6 CORRECTED SHEET	M5 B14 E6

SCALE 1:1	SHEET 1 OF 7
DRAWN	Sten Wahlstrom
APPROVED	
DERIVED FROM	ADS548-1
TITLE FLOOR MTG PULL TYPE PEDAL BOX	
DRG NO.	CP5596-1CD

# A0 INSTALLATION DRAWING

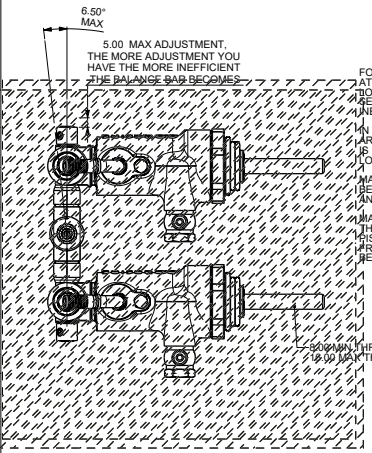
IF THIS DOCUMENT IS PRINTED IN HARDCOPY, IT IS FOR INFORMATION USE ONLY AND THEREFORE IS NOT SUBJECT TO UPDATING CONTROLS. ALWAYS REFER TO SOLIDWORKS VIEWER FOR LATEST ISSUE



THIS DRAWING IS CONFIDENTIAL AND IS SUPPLIED ON THE EXPRESS CONDITION THAT IT SHALL NOT BE LOANED OR COPIED OR DISCLOSED TO ANY OTHER PERSON OR USED FOR ANY OTHER PURPOSE WITHOUT THE WRITTEN CONSENT OF AP RACING LTD.

AP Racing  
Wheler Road  
Coventry  
CV3 4LB  
Tel: +44 (0)24 7663 9595  
Fax: +44 (0)24 7663 9599  
e-mail: sales@apracings.co.uk  
© AP Racing Ltd. 2023  
Web site: HTTP://www.apracings.com

## SETTING UP THE BALANCE BAR

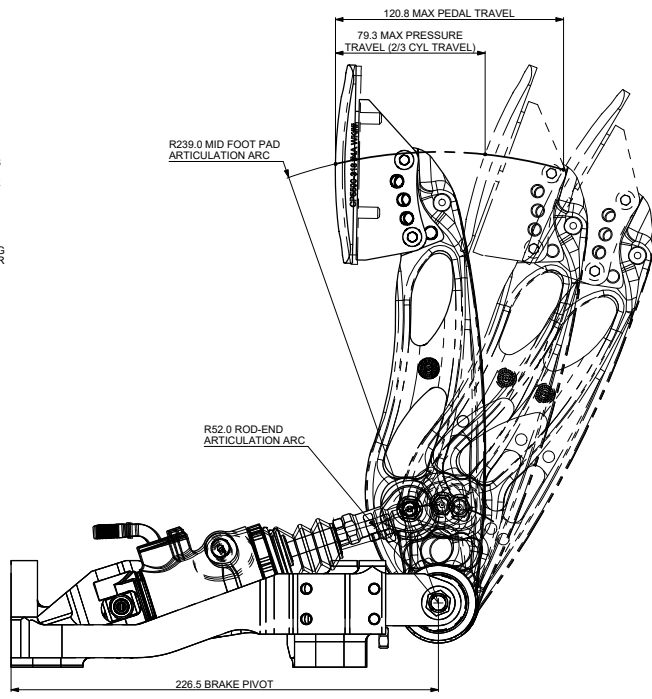


FOR MAXIMUM EFFICIENCY, IT IS RECOMMENDED THAT THE PEDAL IS AT RIGHT ANGLE WITH THE PUSHRODS UNDER MAXIMUM BRAKING LOAD, KEEPING THE BALANCE BAR CENTRAL WITH BETTER SELECTION OF MASTER CYLINDER SIZES HELPS REDUCE INEFFICIENCIES.

IN ORDER TO SQUARE THE SYSTEM, ADJUST SO THAT THE PULLRODS ARE PERPENDICULAR TO THE BALANCE BAR AT FULL BRAKE LOAD, IT IS NOT IMPORTANT AT REST POSITION, BUT IT MUST BE WHEN UNDER LOAD.

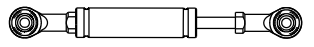
MAKE SURE THAT THE MASTER-CYLINDER PISTONS FULLY RETURN BEFORE USE. THIS CAN BE CHECKED BY PULLING THE BRAKE PEDAL AND CHECKING THAT THE PISTONS DO NOT MOVE FURTHER BACK.

MAX ANGLE ADJUSTMENT AT SETUP (6.50°). THIS IS SET BY ADJUSTING THE THREAD ENGAGEMENT OF THE ROD END AND MASTER CYLINDER PISTON. THIS RELATES TO 8.0mm OF DIFFERENCE IN TRAVEL OF FRONT TO REAR CYLINDERS. REMEMBER THE BALANCE BAR SHOULD BE PERPENDICULAR WHEN AT MAX BRAKE PRESSURE.



## HYDRAULIC DAMPER ADJUSTMENT

THE DAMPER HAS AN ADJUSTABLE RATE OF 20-80N. IT IS ADJUSTED BY POSITIONING IT IN THE MOST EXTENDED OR COMPRESSED POSITION AND TWISTING THE ROD. THE DAMPER IS SET TO MEDIUM DAMPING AS SUPPLIED.

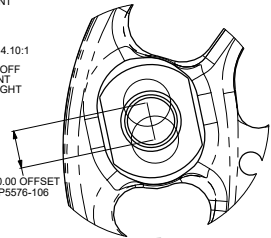


## BRAKE RATIO ADJUSTMENT

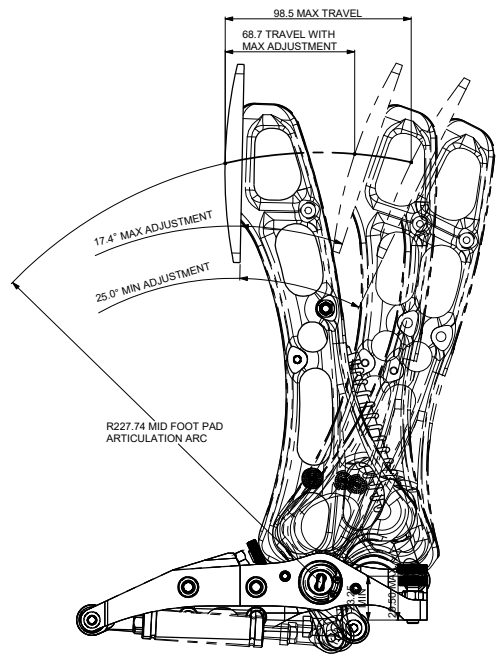
BRAKE PEDAL RATIO ADJUSTMENT BOBBINS.

- CP5576-105 - NOMINAL - 4.55:1
- CP5576-106 - OFFSET - 5.00:1 OR 4.10:1

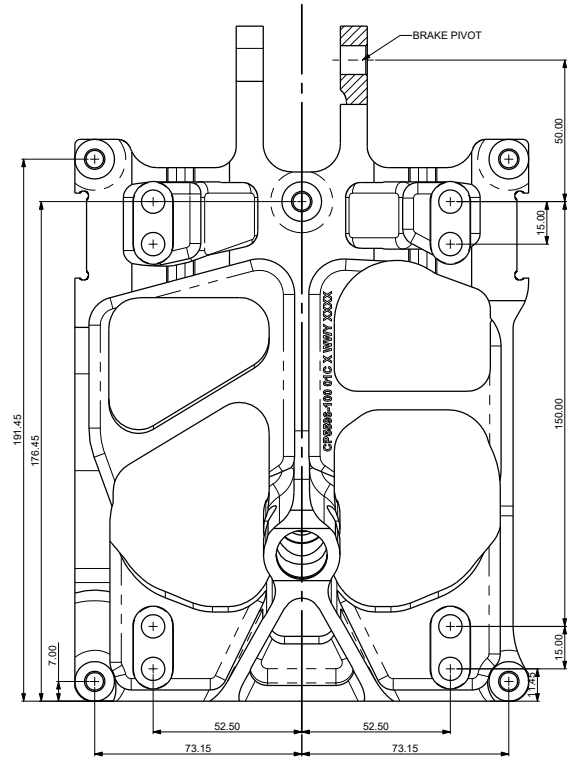
PEDAL BOX IS SUPPLIED WITH 1-OFF CP5576-105. OFFSET ADJUSTMENT BOBBIN CP5576-106 CAN BE BOUGHT SEPARATELY.



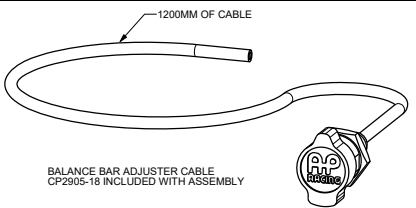
- CP5576-105 CENTRAL INCLUDED
- CP5576-106 REVERSIBLE OPTIONAL
- CP5576-106 REVERSIBLE OPTIONAL



## MOUNTING LOCATIONS



## BALANCE BAR ADJUSTMENT CABLE DETAIL



Alterations		Particulars
Date & No.		
-	-	SEE SHEET 1 FOR ISSUE INFORMATION.

SCALE 1:1	SHEET 2 OF 7
DRAWN	Sten Wahlstrom
APPROVED	
DERIVED FROM	
TITLE FLOOR MTG PULL TYPE PEDAL BOX	
DRG NO.	CP5596-1CD

# AO INSTALLATION DRAWING

IF THIS DOCUMENT IS PRINTED IN HARD COPY, IT IS FOR INFORMATION USE ONLY AND THEREFORE IS NOT SUBJECT TO UPDATING CONTROLS. ALWAYS REFER TO SOLIDWORKS VIEWER FOR LATEST ISSUE



FIRST ANGLE PROJECTION

THIS DRAWING IS CONFIDENTIAL AND IS SUPPLIED ON THE EXPRESS CONDITION THAT IT SHALL NOT BE LOANED OR COPIED OR DISCLOSED TO ANY OTHER PERSON OR USED FOR ANY OTHER PURPOSE WITHOUT THE WRITTEN CONSENT OF AP RACING LTD.



AP Racing  
Wheler Road  
Coventry  
CV3 4LB

Tel: +44 (0)24 7663 9595  
Fax: +44 (0)24 7663 9559  
e-mail: sales@apracings.co.uk

© AP Racing Ltd. 2023 Web site: HTTP://www.apracings.com

## THROTTLE SENSOR DETAIL

### Electrical

Measurement range	As shown
Supply voltage	5Vdc $\pm$ 0.5Vdc and 9-30Vdc - auto selects
Supply current	<17.5mA per output channel
Supply reverse polarity protection	Yes
Short-circuit protection to GND	Yes
Short-circuit protection to supply	Only with 5Vdc regulated supply
Over-voltage protection	Up to 40Vdc
Power-on settlement	>1s
Resolution	12-bit (0.025° of measurement range)
Linearity (absolute)	$\pm$ 0.4%
Temperature coefficient	<30ppm/°C in 5Vdc mode, <110ppm/°C in 9-30Vdc mode

### Voltage Outputs

0.2-4.8V output option (5V supply)	4-96% $\pm$ 1% of Vsupply over measurement range
0.2-4.8V output option (9-30V supply)	0.2-4.8V $\pm$ 3% absolute
Monotonic range (0.2-4.8V output option)	2%/0.1V to 98%/4.9V nominal
Load resistance	10kOHM min. (resistive to GND)
Output noise	<1mV rms
Input/output delay	<2ms

### Mechanical

Mechanical angle	360° continuous
Operating speed, MAX	3600°/S
Torque	120 gm cm max
Weight	<70g
Mounting	2x holes to suit M4 screws tightened to 2.9Nm
Cable	18AWG 1.65mm OD

### Environmental

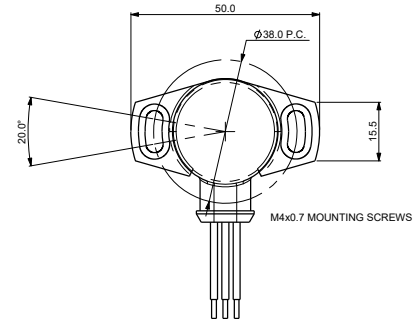
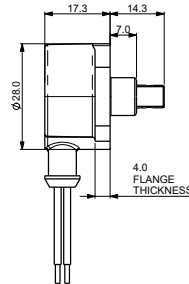
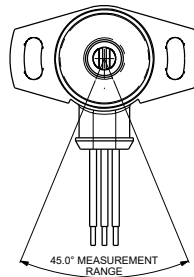
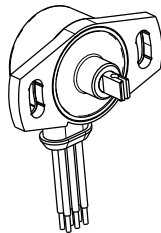
Operating temperature	-40°C to 140°C (-40°C to 120°C if conduit fitted)
Storage temperature	-40°C to 15.7°C at 9V (de-rate by 1.7°C for each 1V increase)
Sealing	-40°C to 140°C (-40°C to 120°C if conduit fitted)
Vibration	IP69k (excluding connector) if conduit fitted
Shock	BS EN 60068-2-64: 1995 Sec 8.4 (31.4g rms) 20 to 2000Hz
FE	Survival to 2500g all axes
MTTFd	20 million operations
Electromagnetic interference	>300 years EN 61000-4-6 to 100V/m 80-1000MHz & 1.4-2.7GHz

### Electrical connections

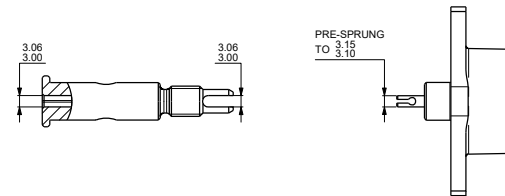
4-core cable, 18 AWG

Cable colour	Description
Red	V+ 1
Black	GND 1
Yellow	OUTPUT 1

Blue	V+ 2
Green	GND 2
White	OUTPUT 2



## PIVOT SHAFT SLOT DETAIL



Alterations		Zone	Issue
Date & No.	Particulars		
-	SEE SHEET 1 FOR ISSUE INFORMATION.	-	-

SCALE 1:1	SHEET 3 OF 7
DRAWN	Sten Wahlstrom
APPROVED	
DERIVED FROM	
TITLE FLOOR MTG PULL TYPE PEDAL BOX	
DRG NO.	CP5596-1CD

# A0 INSTALLATION DRAWING

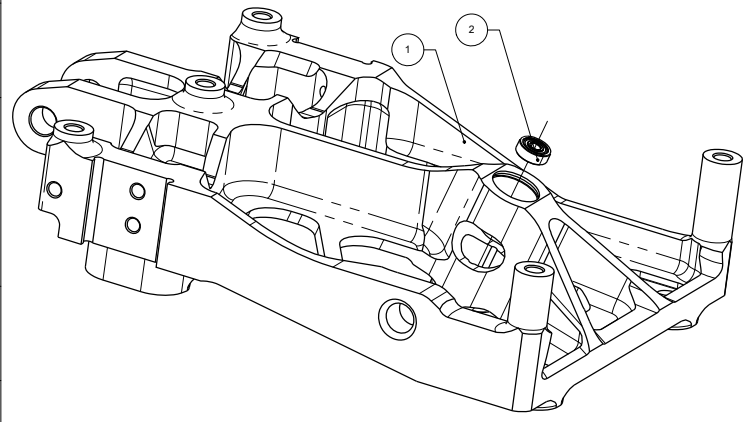
IF THIS DOCUMENT IS PRINTED IN HARDCOPY, IT IS FOR INFORMATION USE ONLY AND THEREFORE IS NOT SUBJECT TO UPDATING CONTROLS. ALWAYS REFER TO SOLIDWORKS VIEWER FOR LATEST ISSUE



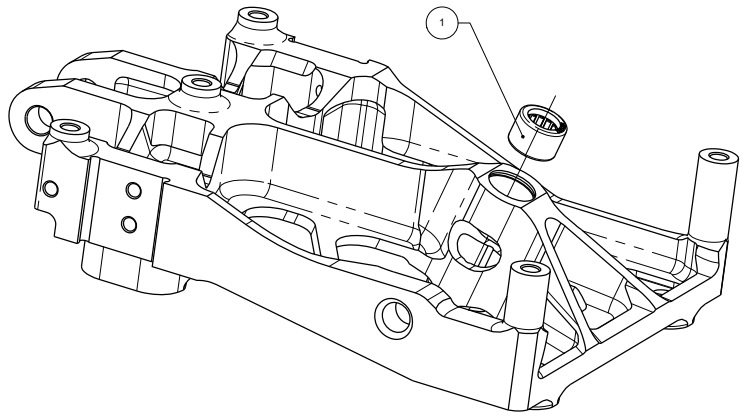
THIS DRAWING IS CONFIDENTIAL AND IS SUPPLIED ON THE EXPRESS CONDITION THAT IT SHALL NOT BE LOANED OR COPIED OR DISCLOSED TO ANY OTHER PERSON OR USED FOR ANY OTHER PURPOSE WITHOUT THE WRITTEN CONSENT OF AP RACING LTD.

**AP RACING**  
 AP Racing  
 Wheeler Road  
 Coventry  
 CV3 4LB  
 Tel: +44 024 7663 9595  
 Fax: +44 024 7663 9559  
 e-mail: sales@apracings.co.uk  
 © AP Racing Ltd. 2023 Web site: HTTP://www.apracings.com

OP1					
ITEM No.	PART No.	DESCRIPTION	QTY	TORQUE	LOCTITE
1	CP5596-100	BASE PLATE	1	-	-
2	CP5548-124	BALL BEARING	1	-	-

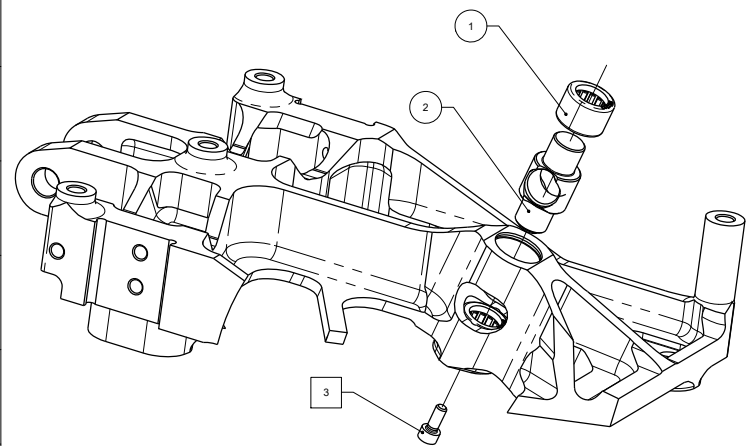


OP2					
ITEM No.	PART No.	DESCRIPTION	QTY	TORQUE	LOCTITE
1	CP5548-123	NEEDLE BEARING	1	-	-

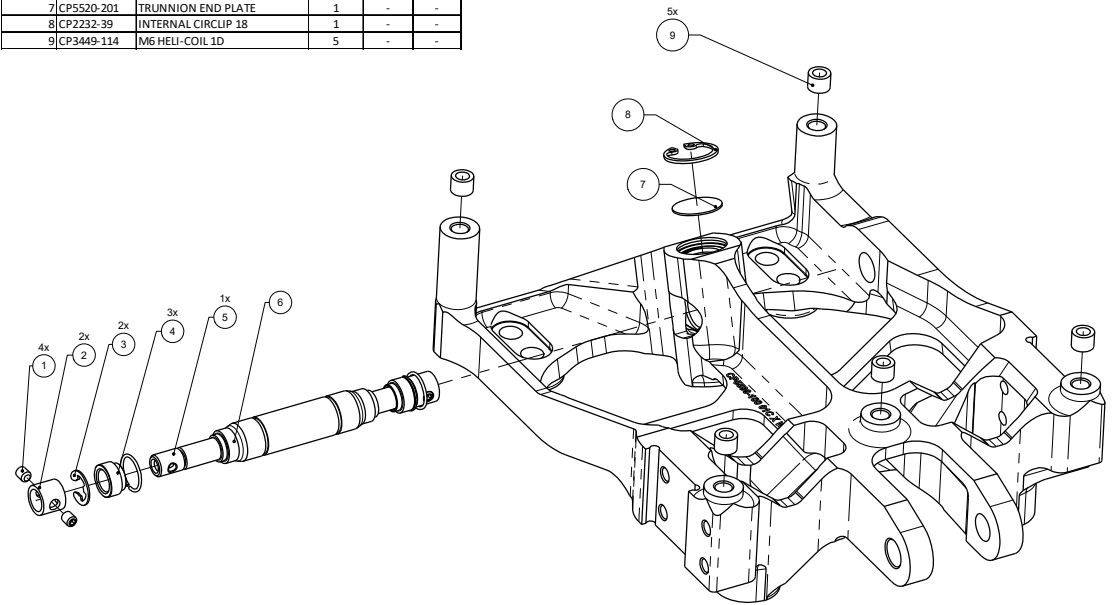


OP3					
ITEM No.	PART No.	DESCRIPTION	QTY	TORQUE	LOCTITE
1	CP5548-123	NEEDLE BEARING	1	-	-
2	CP5548-126	BARREL NUT	1	-	-
3	CP3555-199	BOLT M4x10x0.7 CAP	1	3.5Nm	243

SQUARE BOX AROUND ITEM No. INDICATES THAT LOCTITE IS USED



OP4					
ITEM No.	PART No.	DESCRIPTION	QTY	TORQUE	LOCTITE
1	CP5900-113ST	GRUB SCREW M4x5	4	-	-
2	CP5517-160	BALANCE BAR BACKUP SPACER	2	-	-
3	CP5517-123	CIRCLIP	2	-	-
4	CP5517-124	BALANCE BAR SPACER	2	-	-
5	CP5517-161	SNAPRING	2	-	-
6	CP5716-105	BALANCE BAR	1	-	-
7	CP5520-201	TRUNNION END PLATE	1	-	-
8	CP2232-39	INTERNAL CIRCLIP 18	1	-	-
9	CP3449-114	M6 HELI-COIL 1D	5	-	-



Rev	Date & No.	Alterations	
		Particulars	Zone
1	-	SEE SHEET 1 FOR ISSUE INFORMATION.	-

SCALE 3:2 SHEET 4 OF 7  
 DRAWN: Sten Wahlstrom  
 APPROVED:  
 DERIVED FROM: AD5548-1  
 TITLE: FLOOR MTG PULL TYPE PEDAL BOX  
 DRG NO.: CP5596-1CD

# AO INSTALLATION DRAWING

## BRAKE PEDAL

IF THIS DOCUMENT IS PRINTED IN HARD COPY, IT IS FOR INFORMATION USE ONLY AND THEREFORE IS NOT SUBJECT TO UPDATING CONTROLS. ALWAYS REFER TO SOLIDWORKS VIEWER FOR LATEST ISSUE

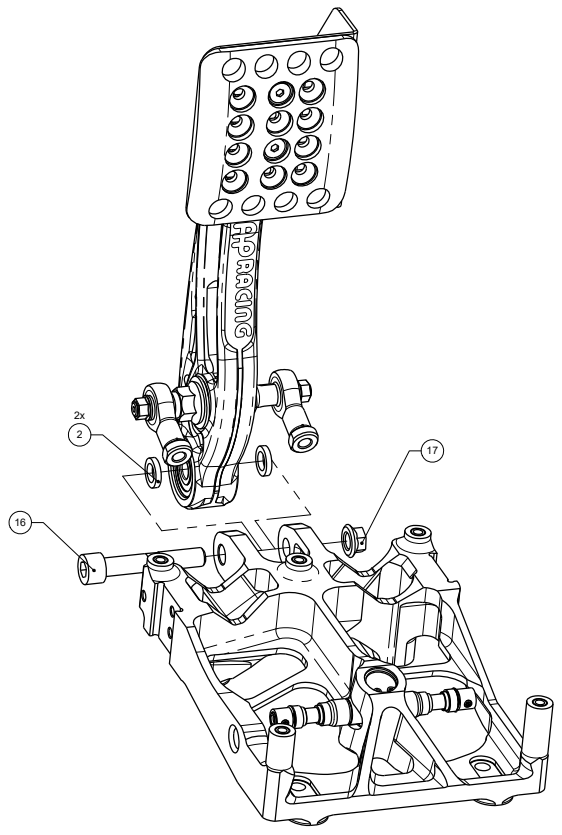
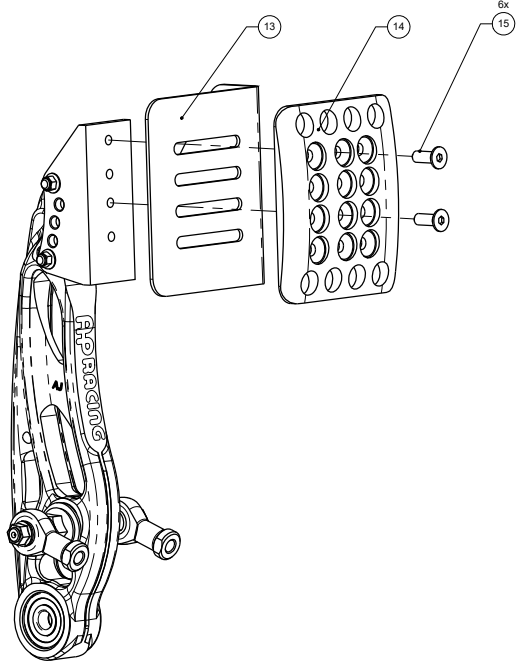
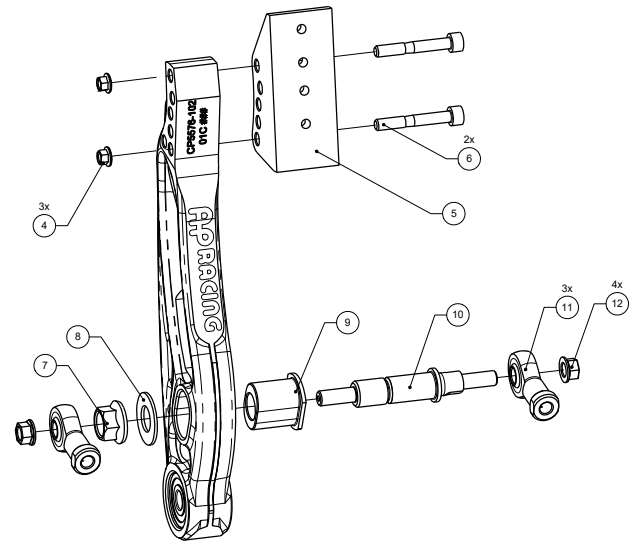
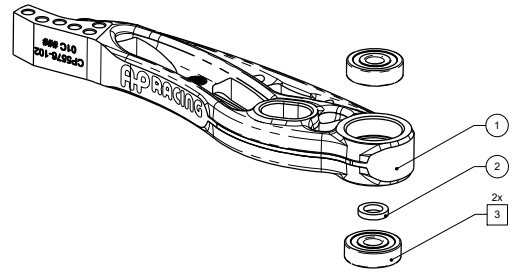


THIS DRAWING IS CONFIDENTIAL AND IS SUPPLIED ON THE EXPRESS CONDITION THAT IT SHALL NOT BE LOANED OR COPIED OR DISCLOSED TO ANY OTHER PERSON OR USED FOR ANY OTHER PURPOSE WITHOUT THE WRITTEN CONSENT OF AP RACING LTD.

**AP RACING**  
 AP Racing  
 Wheler Road  
 Coventry  
 CV3 4LB  
 Tel: +44 024 7663 9595  
 Fax: +44 024 7663 9559  
 e-mail: sales@apracing.co.uk  
 © AP Racing Ltd. 2023 Web site: HTTP://www.apracing.com

BRAKE PEDAL					
ITEM No.	PART No.	DESCRIPTION	QTY	TORQUE	LOCTITE
1	CP5576-102	BRAKE PEDAL	1	-	-
2	CP5518-127	SPACER 16x10.2x3	3	-	-
3	CP5516-106	BRG BALL-30x10x9.0	2	-	648
4	CP3423-107	NUT M6x1.00 KAYLOCK	2	-	-
5	CP5516-137	BRAKE FOOTPAD ADJUSTER	1	-	-
6	CP4370-114	SCREW-M6x42 CAP	2	10Nm	-
7	CP5576-107	NUT M14x1.5 KAYLOCK	1	50Nm	-
8	CP3307-258	WASHER 28x14.2x1.5	1	-	-
9	CP5576-105	PULLBAR BOBBIN	1	-	-
10	CP5576-104	PULLBAR FLANGED	1	-	-
11	CP5506-106	ROD END M8x1.25	2	-	-
12	CP4611-111	NUT M8x1.25 KAYLOCK	2	25Nm	-
13	CP5538-210	BRAKE GUARD PLATE	1	-	-
14	CP5500-330	BRAKE PEDAL FOOTPAD	1	-	-
15	CP4350-106	SCREW M6x14 CSK	2	10Nm	-
16	CP5200-108	BOLT M10x58x1.5 CAP	1	40Nm	-
17	CP5427-101	NUT M10x1.5 KAYLOCK	1	-	-

SQUARE BOX AROUND ITEM No. INDICATES THAT LOCTITE IS USED



Rev	Date & No.	Alterations	
		Particulars	Drawn
1		SEE SHEET 1 FOR ISSUE INFORMATION.	

SCALE 1:1 SHEET 5 OF 7  
 DRAWN: Sten Wahlstrom  
 APPROVED:  
 DERIVED FROM: AD5548-1  
 TITLE: FLOOR MTG PULL TYPE PEDAL BOX  
 DRG NO.: CP5596-1CD

# A0 INSTALLATION DRAWING

IF THIS DOCUMENT IS PRINTED IN HARD COPY, IT IS FOR INFORMATION USE ONLY AND THEREFORE IS NOT SUBJECT TO UPDATING CONTROLS. ALWAYS REFER TO SOLIDWORKS VIEWER FOR LATEST ISSUE



FIRST ANGLE PROJECTION

THIS DRAWING IS CONFIDENTIAL AND IS SUPPLIED ON THE EXPRESS CONDITION THAT IT SHALL NOT BE LOANED OR COPIED OR DISCLOSED TO ANY OTHER PERSON OR USED FOR ANY OTHER PURPOSE WITHOUT THE WRITTEN CONSENT OF AP RACING LTD.



AP Racing  
Wheler Road  
Coventry  
CV3 4LB

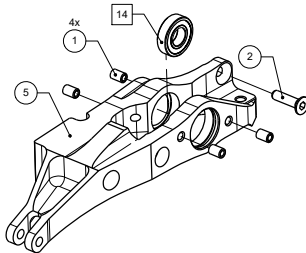
Tel: +44 (0)24 7663 9595  
Fax: +44 (0)24 7663 9599  
e-mail: sales@apracings.co.uk

© AP Racing Ltd. 2023 Web site: HTTP://www.apracings.com

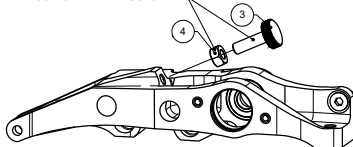
## THROTTLE

ITEM No.	PART No.	DESCRIPTION	QTY	TORQUE	LOCTITE
1	CP2494-3037	HELICOIL-M4x0.70x2.0DLK	4	-	-
2	CP2494-3078	SCREW-M5x20 CSK	1	6.8Nm	-
3	CP5576-135	KNURLED SCREW M6x1.00	2	SEE NOTE	-
4	ME21001	NUT M06x1.00	2	SEE NOTE	-
5	CP5548-200	THROTTLE PEDAL BRACKET	1	-	-
6	CP4611-111	NUT M8x1.25 KAYLOCK	1	25Nm	-
7	CP5538-208	SPACER RING	2	-	-
8	CP5516-208	BOLT-M5x14x0.8 CAP	1	6.8Nm	243
9	CP5576-111	THROTTLE PEDAL	1	-	-
10	CP5548-206	SPRING MECHANISM ATTACHMENT	1	-	-
11	CP5576-126	NUT M5x0.80 KAYLOCK	5	6.8Nm	-
12	CP5516-167	THROTTLE PEDAL FOOTPAD	1	-	-
13	CP4350-106	SCREW-M6x14 CSK	2	10Nm	-
14	CP5516-140	BRG BALL-22.0x10.0x06.0	2	-	648
15	CP5516-162	CIRCLIP INT 23.10	1	-	-
16	CP5548-202	THROTTLE PIVOT SHAFT	1	-	-
17	CP5548-208	ROD END M5x0.8	4	-	270
18	CP9100-132	SCREW-M5x10x0.80 CAP	1	2Nm	243
19	CP5548-211	SPRING STRUT BODY	1	-	-
20	CP5548-212	SPRING STRUT ROD	1	-	-
21	CP5576-117	COMPRESSION SPRING	1	-	-
22	CP5548-207	HYDRAULIC DAMPER	1	-	-
23	CP5896-144	WASHER-9.0x5.3x1.0	1	-	-
24	CP5500-119	SCREW-M5x25 CAP	2	6.8Nm	-
25	CP5576-129PL	SCREW-M6x15 CAP	4	10Nm	-
26	CP2494-1305	WASHER-12.5x06.5x0.80	2	-	-
27	CP5516-164	THOTLE GUARD PLATE	1	-	-
28	CP2749-194	SCREW-M6x8 BUT	2	8Nm	243
29	CP5548-203	THROTTLE SENSOR PLATE	1	-	-
30	CP5548-209	THROTTLE POSITION SENSOR	1	-	-
31	CP7000-170	WASHER-9.0x4.2x0.8	2	-	-
32	CP3833-182	SCREW-M4x16 CAP	2	3.5Nm	-
33	CP5576-145	WASHER 14.5x8.2x2.375	1	-	-

SQUARE BOX AROUND ITEM No. INDICATES THAT LOCTITE IS USED

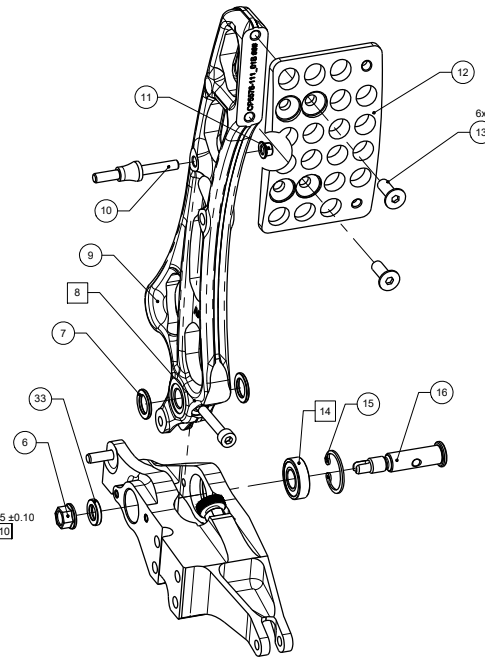
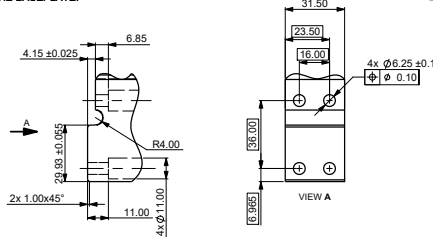


THESE ARE NOT TORQUED AND ARE TO BE ADJUSTED TO DESIRED POSITION BY THE CUSTOMER.

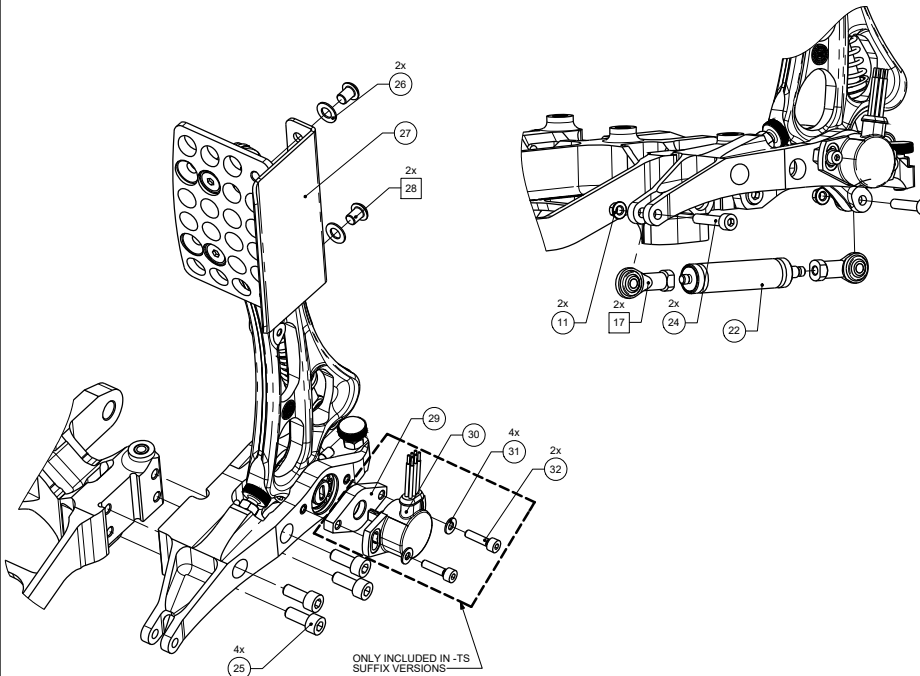
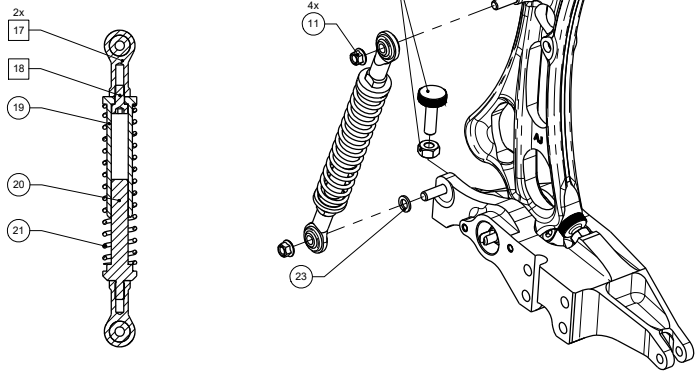


### THROTTLE BRACKET DIMENSIONS

SUGGESTED INTERFACE DIMENSIONS FOR MOUNTING THROTTLE MODULE TO THE BASEPLATE.



THESE ARE NOT TORQUED AND ARE TO BE ADJUSTED TO DESIRED POSITION BY THE CUSTOMER.



Rev	Date & No.	Particulars
0		SEE SHEET 1 FOR ISSUE INFORMATION.

SCALE 1:1	SHEET 6 OF 7
DRAWN	Sten Wahlstrom
APPROVED	
DERIVED FROM	AD5548-1
TITLE	
FLOOR MTG PULL TYPE	
PEDAL BOX	
DRG NO.	CP5596-1CD

# A0 INSTALLATION DRAWING

## CLUTCH

IF THIS DOCUMENT IS PRINTED IN HARD COPY, IT IS FOR INFORMATION USE ONLY AND THEREFORE IS NOT SUBJECT TO UPDATING CONTROLS. ALWAYS REFER TO SOLIDWORKS VIEWER FOR LATEST ISSUE



FIRST ANGLE PROJECTION

THIS DRAWING IS CONFIDENTIAL AND IS SUPPLIED ON THE EXPRESS CONDITION THAT IT SHALL NOT BE LOANED OR COPIED OR DISCLOSED TO ANY OTHER PERSON OR USED FOR ANY OTHER PURPOSE WITHOUT THE WRITTEN CONSENT OF AP RACING LTD.



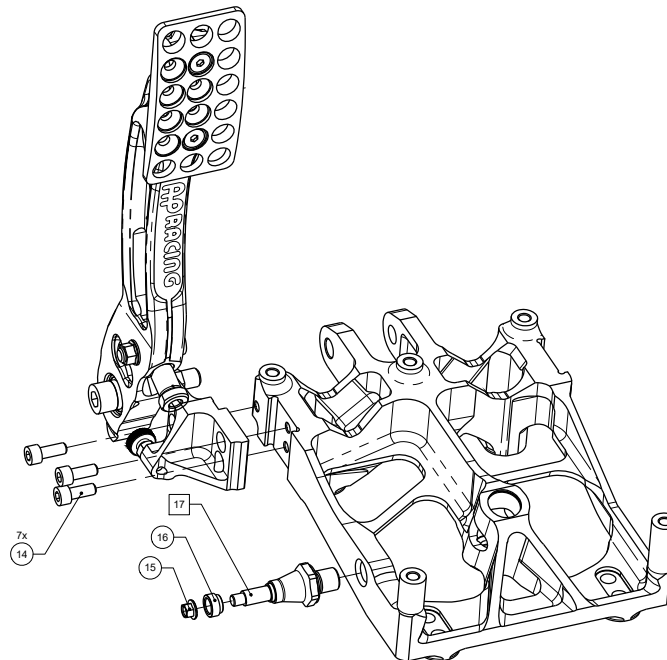
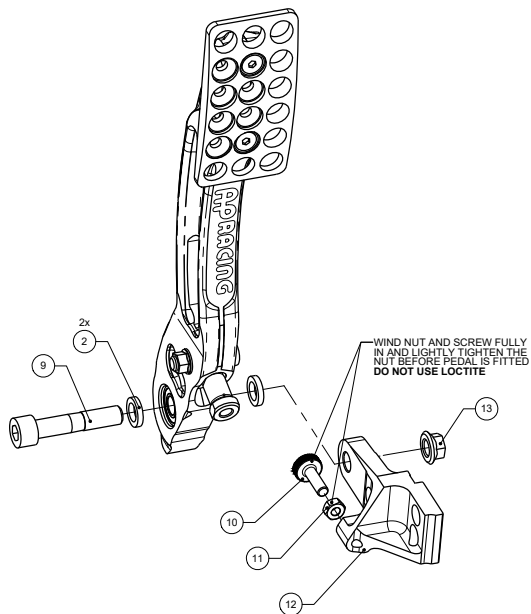
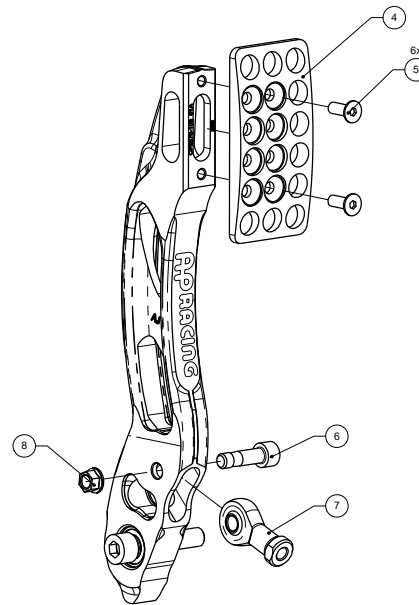
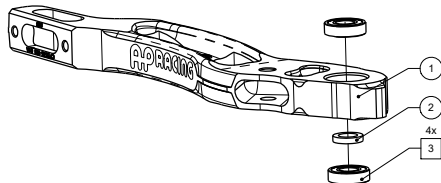
AP Racing  
Wheler Road  
Coventry  
CV3 4LB

Tel: +44 (0)24 7663 9595  
Fax: +44 (0)24 7663 9599  
e-mail: sales@apracings.co.uk

© AP Racing Ltd. 2023 Web site: HTTP://www.apracings.com

CLUTCH					
ITEM No.	PART No.	DESCRIPTION	QTY	TORQUE	LOCTITE
1	CP5576-103	CLUTCH PEDAL	1	-	-
2	CP5518-127	SPACER RING	3	-	-
3	CP5516-140	BEARING BALL-22.0x10.0x06.0	2	-	648
4	CP5500-318	PEDAL FOOTPAD	1	-	-
5	CP4350-106	SCREW-M6x14 CSK	2	10Nm	-
6	CP5517-132	BOLT-M8x27 CAP	1	25Nm	-
7	CP5506-106	ROD END M8x1.25	1	-	-
8	CP4611-111	NUT M8x1.25 KAYLOCK	1	-	-
9	CP5000-407	BOLTMCM10x45x1.50 CAP	1	40Nm	-
10	CP5576-135	KNURLED SCREW M6x1.00	1	SEE NOTE	-
11	ME21001	NUT M6x1.00	1	SEE NOTE	-
12	CP5548-150	CLUTCH PEDAL BRACKET	1	-	-
13	CP5427-101	NUT M10x1.50 KAYLOCK	1	-	-
14	CP4360-116	SCREW-M6x20 CAP	3	10Nm	-
15	CP3423-107	NUT M6x1.00 KAYLOCK	1	6.8Nm	-
16	CP5517-124	BALANCEBAR SPACER	1	-	-
17	CP5548-155	CLUTCH ATTACHMENT	1	50	243

SQUARE BOX AROUND ITEM No. INDICATES THAT LOCTITE IS USED



Rev	Date & No.	Alterations	
		Particulars	Drawn
0	-	SEE SHEET 1 FOR ISSUE INFORMATION.	-

SCALE 1:1 SHEET 7 OF 7

DRAWN Sten Wahlstrom

APPROVED

DERIVED FROM AD5548-1

TITLE  
FLOOR MTG PULL TYPE  
PEDAL BOX

DRG NO. CP5596-1CD